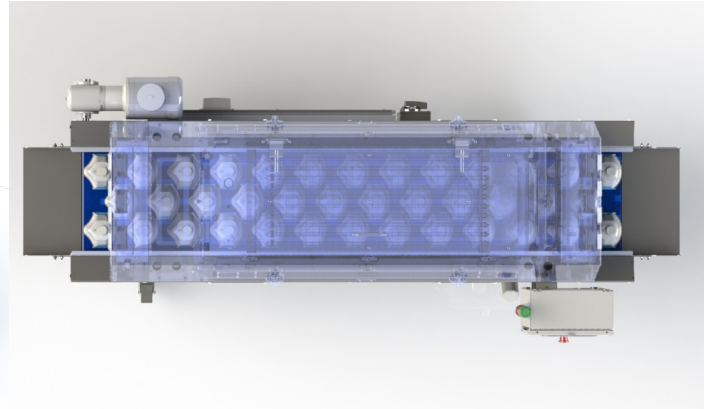


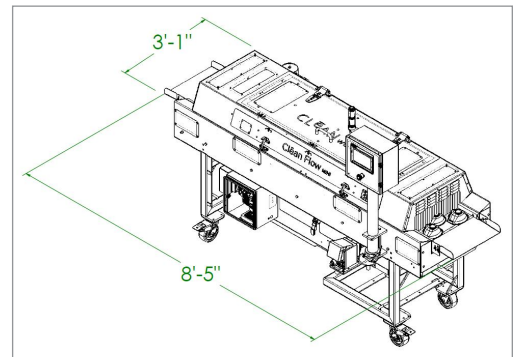
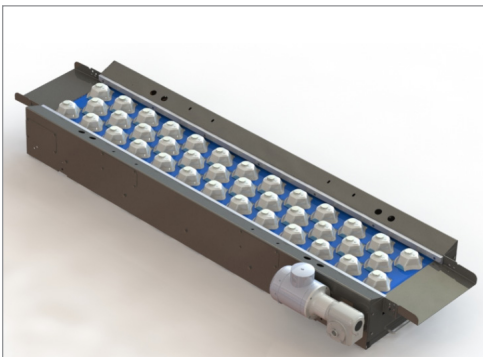
Clean Flow

HEALTHCARE MINI



Destroys up to 99.99% of Pathogens and Viruses on surfaces including N95 masks and other PPE

Cleans up to 800 N95 masks per hour



VERIFIED TECHNOLOGY

- Technology Verified by Health Canada
- Technology Verified by University of Guelph
- Trials Run With Covid-19 Surrogate

RESIDUAL FREE

- Leaves no Residue
- Leaves no Odour
- Advanced Chemical Reaction Leaves H₂O Vapour and O₂

USAGE

- Easy to Use Operator Controls
- Safe Operation
- Built to FDA Requirements, Rigorous Sanitary Wash Down Standards

REQUIREMENTS

- 230 VAC, 20 Amp Power
- Clean Flow Solution
- Adequate Ventilation

CLĒAN works

4758 Christie Drive, Beamsville, Ontario Canada
905.630.6247 / cleanworkscorp.com